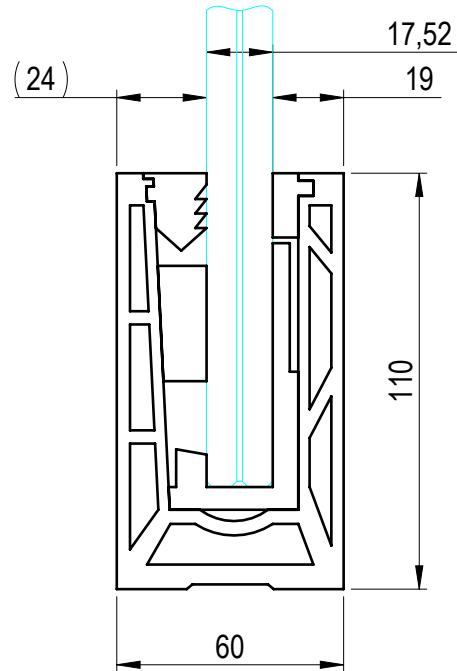


A
SCALE: 1 : 2



Pay attention to the edge distance of the first hole and the position of the glass fixing wedge in the profile. It is important from which side the first hole edge distance — $122,5 \pm 1$ — is measured, as the glass is not centered.

R FIX SKU: GPR1

Beside Glass balustrade aluminum profile, rubber gaskets and plastic parts (for glass thickness 17,52mm) must be ordered.

		MATERIAL	6060F22 T6	WEIGHT	6.693 Kg	DEBURR AND BREAK SHARP EDGES DO NOT SCALE DRAWING		REVISION	DATE
		SURFACE PROTECTION	-	MACHINING	ISO 2768 mK	THERMAL CUTTING	ISO 9013 441	WELDING	ISO 13920 BF
SCALE	1:5	FORMAT	A4	PART NO. 105-01420-03					
NAME	A. Menkins	SIGNATURE							
Designed by	E. Kriviss	Technical ref.							